

Air Scoop

Newsletter of the Delta County Amateur Radio Society

www.dcars.org

January 2009

Table of Contents

Election Results

Dues are Due!

Classes to Begin

- Page 1 -

Op Amp Challenge

Meeting Minutes

Web Site of the Month

- Page 2 -

Amateur Radio News

- Page 3 -

Local News

- Page 4 -

Homebrewing

V.E. Exams

Upcoming Events

- Page 5 -

Meetings

The next DCARS meeting will be held on

January 19th

Project Nights held weekly

- Page 6 -

Club Officers chosen for 2009



The officers that will lead DCARS for 2009 were chosen at the annual Christmas party held at the Great Northern Buffet last month. Dining began at 5 pm, followed with a short business meeting and the election of officers. The

only change from last year is our Vice President Mike – KD8DKA decided to step down and Justin – KD8HOR was elected to replace Mike. Thank you Mike for your past service.

Dues are past Due!

The annual membership dues are now past due and need to be paid as soon as possible. Don't let this be your last newsletter.

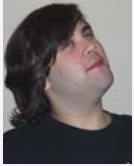
Technician Classes to begin in February

Classes to earn a Technician license will begin on February 3rd at 7 PM at Bay College, Room 124 in the Math & Science Building. The classes will be held on Tuesdays & Thursdays from 7 PM to 9 PM and will run for 4 weeks. There will be no charge for the classes and registration is not required.



President

W8JRT
Joe Thompson
w8jrt@dcars.org



Vice President

KD8HOR
Justin Poquette
kd8hor@dcars.org



Secretary

N8DP
Dave Palmgren
n8dp@dcars.org



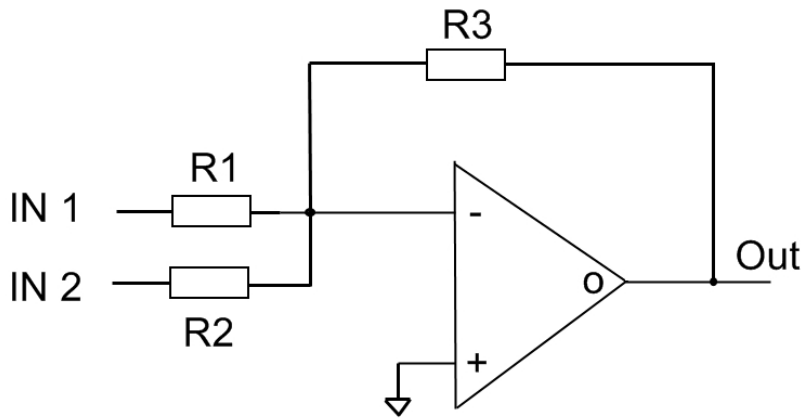
Treasurer

K8WLT
Walt Aho
k8wlt@dcars.org



**Hamfest
Chairman**

WD8RTH
John Anderson
wd8rth@dcars.org



**Operational Amplifier
Challenge**

R1 & R2 = 1KΩ
R3 = 10KΩ
Input 1 = 2 VDC
Input 2 = -1 VDC

The Amplifier has a + -
15 volt supply

What is the output
voltage?

Answer on Page 5

Minutes from the December meeting

The December meeting of DCARS began at 6:05 p.m. In attendance were W8JRT, N8DP, K8GMW, K8WLT, N8OYR, W8JNL, WA8LE, WD8RTH, KA8RPB, KD8DKB, KD8DKC, KD8DVN, KD8HOR, KD8IGY with families and friends

Correspondence – Insurance Bill

Repeater Reports – None

Treasurer’s report read – Motion to accept by WA8LE, Second by N8OYR - Passed

Secretary’s report – Motion to accept by WA8LE, Second by KD8DKC – Passed

Old Business

N8DP reported that the club ham license has been renewed

W8HSJ & N8DP continue to experiment on 28.450 – 7 p.m. on Wednesdays.

New Business

The new exam cost will rise to \$15.

WA8LE reported that the CW paddles have returned to the clubhouse

Motion to pay the insurance bill .Motion by WD8RTH Seconded by W8JNL – Passed

Election of officers

President – Joe W8JRT
Vice President – Justin KD8HOR
Treasurer – Walt K8WLT
Secretary – Dave N8DP
Hamfest Chairman – John WD8RTH

No 50 – 50 raffle held.

Meeting adjourned at 6:50 p.m.

January Program to be a video on proper soldering techniques.

< ~ >

Web Site of the Month

This month we have a “Blast from the past” A web site called Radio Shack catalogs has made the old Radio Shack catalogs available on line for viewing. Their earliest catalog is the 1939 edition. This is when the store truly was a “Radio shack” with the majority of the catalog ham radio related. The web site also does a great job of showing the history of the company complete with photos.

Check it out at www.radioshackcatalogs.com

< ~ >

Happenings in Amateur Radio

"When News Breaks – We Fix It!"

93 YEAR OLD FLORIDA HAM MURDERED BY HIS SON

The son of a 93 year old Lakeland, Florida ham has been arrested for the murder of his father in a crime that was made to look like a botched home invasion robbery. The body of Walter Farley, K4QE, was found at around 9:15 a.m. at his residence on New Year's day.

Detectives say Robert Farley son of Walter Farley told them he and his wife, Mary, went to a motel in a nearby city to celebrate New Year's Eve. Authorities got video from the hotel security cameras showing that Farley had left the hotel after his wife took a nap earlier in the evening.

Investigators say Robert went home and got into an argument with his father after discussing his intent to divorce his wife. Robert told investigators there was a physical struggle and he shot his father at least four

times with a .38-caliber handgun.

Robert Farley admitted he had changed his clothes, took several items from the home to simulate a robbery and drove to a nearby lake to dispose of the murder weapon.

A Polk County dive team recovered it from that lake.

Authorities say Robert Farley had been planning his father's murder for two months.

Robert Farley is now charged with first-degree murder. If tried and convicted he faces a minimum of life in prison without parole. Prosecutors have not yet said if they will seek the death penalty in the case. Walter Farley, K4QE, was a respected member of the Lakeland Amateur Radio Club and was active on several local nets.

< ~ >

AMATEUR RADIO HEADED FOR VENUS

The Japan Amateur Radio League and Japan AMSAT say that they are collaborating with the Japanese University Space Engineering Consortium. This, to send an amateur radio payload into a Venus transfer orbit next year along with the primary JAXA Planet-C Venus Orbiter mission planned for launch in May of 2010.

The satellite will be called UNITEC-1 and some of the challenges will be to design onboard computers that can withstand the harsh environment of space. The bird will also carry and test technologies to receive and decode very weak and low bit rate signal coming from deep space. Lastly will be a system to estimate orbit and signal Doppler shift of the satellite based on received RF signals. This is essential for tracking and receiving communications from such a Venus orbiting satellite.

You too can be a part of this first ever ham radio in space mission to another world. The UNITEC-1 team is inviting radio amateurs all around the world to participate in the receiving and data capture of the latter two experiments.

They note that amateur radio operators working as individuals or in groups can develop stations and techniques to relay their received signal reports and data to the UNITEC-1 control center. They also view this is also a unique opportunity to propose amateur experiments or competitions to the satellite team. One experiment requiring the participation of several amateur radio earth stations will include the development of techniques to combine the received signals from several antennas to improve the received signal to noise ratio from the spacecraft as it's outbound from earth.

< ~ >

Airscoop

The Airscoop is the official newsletter of the Delta County Amateur Radio Society

Original articles and photos are welcome.

Copyrighted material cannot be reprinted without the permission from the author.

Please include such disclaimers in all materials submitted.

Permission is hereby granted for the reproduction of material found in the Airscoop unless otherwise noted providing that proper credit is given to the author and the Delta County Amateur Radio Society.

Submit articles to:

Newsletter Editor
Dave Palmgren – N8DP
(906) 428 - 2271
n8dp@dcars.org

Please notify the
Newsletter Editor of
any address changes.

Visit our Website

WWW.DCARS.ORG

Webmaster

Joe Thompson W8JRT
w8jrt@dcars.org

Area 2 Meter Repeaters

Escanaba	147.15 +	100.0
	145.13 -	No PL
Gladstone	147.24 +	100.0
IRLP 4013	147.55 Smpx	100.0

Cooks	146.70 -	No PL
Grd Marais	147.195+	No PL
Gwinn	146.64 -	100.0
Iron Mtn	146.85 -	No PL
Iron River	145.17 -	107.2
Ishpeming	146.91 -	No PL
Marquette	146.97 -	100.0

	147.27 +	100.0
Menominee	147.00 +	107.2
Munising	145.41 -	No PL
Newberry	146.61 +	127.3

	147.09 +	114.8
Republic	147.09 +	No PL
Trenary	147.03 +	No PL
Wetmore	146.79 -	No PL

Wisconsin Repeaters

Abrams	146.835 -	107.2
Crivitz	145.47 -	107.2
Egg Harbor	146.73 -	107.2
McAllister	146.88 -	136.5
Green Bay	147.12 +	107.2
	147.27 +	107.2
	146.685 -	107.2
	145.49 -	100.0
Sister Bay	147.18 +	107.2
Sturgeon Bay	147.21 +	107.2

Club History

Our organization began with a group of local hams getting together in 1964 for the purpose of hosting a U.P. Hamfest.

They called themselves the "Bay de Noc Radio Club" This first local Hamfest became a reality in 1965.

On September 1, 1970 the group met once again at the Northern Michigan National Bank to create a more formal club. The name chosen was the "Delta County Amateur Radio Society".

Arrl affiliation was applied for and the club received its charter on February 15th 1971.

Please address all correspondence to:
DCARS

Dave Palmgren
6132 Co 420 - 21st Road
Gladstone, Mi 49837



DCARS is an
ARRL Affiliated Club

Area Nets

UP Net 3921khz
Daily - 5pm EST
Sunday - Noon EST

Midcars 7258khz
Daily 7:30am - 2pm EST

IRLP Linkup Node 9206
Tuesday 9pm EST

Southcars Node 9617
Saturday - 9am EST

UP Echolink Node 9617
Sunday - 8pm EST

Local News (and other stuff)

Our clubhouse now has a new computer, at least it's new to us. Howard - W8HSJ has donated a desktop computer that is running Windows XP. That will allow us a number of new things that we haven't been able to do. Thank You Howard!

< ~ >

A couple from Rumley came down for the FCC exams that we held on Saturday January 10th. The wife picked up a new Technician license and the husband upgraded to a General. No local hams took the test.

< ~ >

"The report of the demise of Iron Mountain's packet system has been greatly exaggerated." Please don't take down your packet nodes yet. Once we get established in our new building on Pine Mountain, the MIIMT node will be returned to service. Our old building at the WE Energies tower on Pine Mountain was demolished some time ago so the power company could build a larger structure to house their equipment. A smaller building has been provided for our repeater and packet equipment. We will soon be moving our 2 meter and 440 repeater and MIIMT packet equipment to the new facility. I know our packet node has been down for a long time, but please be patient for a little while longer and we will have it operational once again. 73, Mike Bray - K8DDB

< ~ >

Wallace now has a new 70cm repeater up and running. Jim - KS8O has installed a 444.65 repeater on his 120 foot tower in his back yard with a 125 DCS access. DCS (Digital Code Squelch) is similar to PL but uses a digital data string.

< ~ >

On a personal note, I would like to take this opportunity to thank Lowell - KA8RPB for his house-warming (shack-warming?) gift that he gave me recently. He made a stained glass plaque with my callsign. I have it hanging in the window of my shack and it looks great. Thanks again.



Fun Stuff – Homebrewing

There's not many things that can give as much ham radio pleasure as building and using your own home made equipment. Obviously the HF transceiver shown on the right is beyond the capabilities of many of us, but there are many projects that can be built with little experience.

Antennas are a great place to start, cutting your own dipoles or building a 2 meter yagi or maybe a J-pole.

Maybe you would like to try your hand at putting together a circuit. "Far circuits" sells pc boards for most of the popular ham projects. Try using Google to search for "ham kits", "QRP" or "Ham Radio projects" to find some ideas to consider. One skill



Miss Mosquita A 40 meter CW Transceiver
So small – so spicy – it must be a Lady

you will need eventually is the ability to solder. Investing in a decent soldering station will make homebrewing much more enjoyable. To help you learn the art of soldering there will be a movie after the club meeting to show you the proper techniques.

< ~ >



Many projects have been designed to use Altoids boxes for the enclosure.

Answer to the Operational Amplifier Challenge on page 2

The circuit on page 2 is a summing amplifier, The output is equal to the sum of the inputs times the gain of the amp. The formula for the figuring the gain is the Feedback resistor (R3) divided by in Input resistor R1. So the formula to figure the problem is $V_{out} = (R3/R1) (V1 + V2)$

$$V_{out} = (10,000/1000) (2 + -1)$$

$$V_{out} = (10) (1)$$

The summing is taking place on the inverting input of the amp, therefore the output will be inverted.

$$V_{out} = -10 \text{ Volts DC}$$

< ~ >

V. E. Testing

Gladstone

Apr 11th
9 am EST
Gladstone Library
Howard St. John W8HSJ
(906) 428-9476
w8hsj@dcars.org

Marquette

Mar 14th
8:30 am EST
Marquette Co. Health Dept.
U.S.41
Rich Schwenke N8GBA
(906) 249-3837
n8gba@chartermi.net

Kingsford

Feb 7th
9 am CST
Dickenson County Library
Mark Lewis N8UKD

Bring a **photo ID** if available otherwise two forms of identification will be required.

Test session fees are **\$15**, Please bring exact amount or a check.

Bring your actual license or C.S.C.E. and a **photocopy** to be sent in for element credit

Upcoming Events

Michigan Qso Party
April 18th

Dayton Hamvention
May 15th – 17th

Field Day
June 27th – 28th

U.P. Hamfest
August 1st

< ~ >

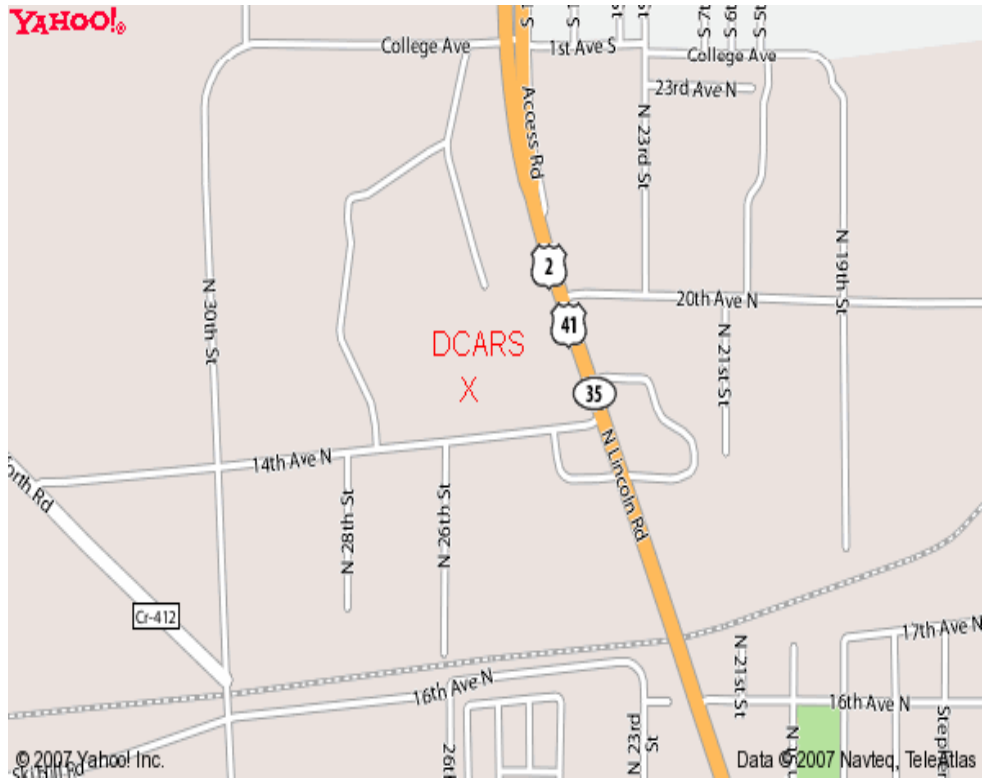
Meetings

The Delta County Amateur Radio Society meets at 7 p.m. on the third Monday of each month. The meeting is held in the Joseph Heirman University Center, Room 963 at Bay de Noc College.

Annual Membership Dues are \$15

Project Nights

Projects nights are held on Mondays from Labor Day until Memorial Day. (except club meeting nights)



From US – 2 & 41
Turn West on to Danforth Road,
Travel one block and turn right into Lot D

----- fold -----

Delta County Amateur Radio Society
c/o Dave Palmgren
6132 County 420 – 21st Road
Gladstone, Mi.
49837

Stamp

Label