

# Air Scoop

Newsletter of the Delta County Amateur Radio Society

[www.dcars.org](http://www.dcars.org)

April 2009

**Table of Contents**

**DCARS Gets a New Callsign**

**New Meeting Room for DCARS**

**Tech Class Update**

- Page 1 -

**President's Message**

**Meeting Minutes**

**Web Site of the Month**

- Page 2 -

**Amateur Radio News**

- Page 3 -

**Local News**

- Page 4 -

**Homebrewing Antenna's Part 2**

**V.E. Exams**

**Upcoming Events**

- Page 5 -

**Meetings**

The next DCARS meeting will be held on

**April 20<sup>th</sup>**

- Page 6 -

## New DCARS Callsign - K8PL

A preferred 1X2 callsign for the club has been on the wish list for some time now but the wait is finally over. Members who use the call for field day and other contests have complained that the K8ZAS was a bit of a tongue-twister should find Papa-Lima much easier to use. The motion to change the call was made last summer but it we waited until now to get a call we felt was worth switching to.

< ~ >

## New meeting room for DCARS

With the growing number of members attending the DCARS meetings we were beginning to outgrow our old meeting room. Starting with the February meeting, DCARS moved across the hall to the Green Bay Conference room (room 962) at Bay De Noc College. The new room is not only bigger but more comfortable.

< ~ >

## Ten new Hams get their licenses

The article about my Ham radio interest in the Daily Press paid dividends for us with the largest Technician class we've had in some time. When the training was over we had 10 students take their Technician exam and all passed, 2 of the students also passed the General class exam. Congratulations to all!

KD8KKN	Patrick Pierron	Gladstone	
KD8KKO	John Merki Jr	Escanaba	
KD8KKP	Rich Hendrickson	Escanaba	
KD8KKQ	Jason Germain	Escanaba	
KD8KKR	Joshua Hallfrisch	Gladstone	
KD8KKS	Norbert Berg	Escanaba	
KD8KKT	Roy Chenier	Escanaba	
KD8KKU	Marilyn Kinsey	Escanaba	General
KD8KKV	Caleb Cox	Gladstone	General
WB2MFO	Lorne Davey	Rapid River	- Lorne had a Novice license

Also sitting in the class was WA9KEU Jim Meinken from Escanaba, although Jim already had his General license he apparently wanted a refresher. Jim has since joined DCARS. Welcome aboard.

< ~ >

## President's Message



### President

W8JRT  
Joe Thompson  
w8jrt@dcars.org



### Vice President

KD8HOR  
Justin Poquette  
kd8hor@dcars.org



### Secretary

N8DP  
Dave Palmgren  
n8dp@dcars.org



### Treasurer

K8WLT  
Walt Aho  
k8wlt@dcars.org



### Hamfest Chairman

WD8RTH  
John Anderson  
wd8rth@dcars.org

Hello fellow Hams. Here we are again on the verge of nice warmer weather. A great time to start planning your antenna projects. If you need help with your projects it wouldn't hurt to start soliciting the help you need. I know the rest of you are just like me and at the end of summer you'll stand and wonder where it went and why it was just a blur.

I'd like to also take this opportunity to welcome the new Hams to our great hobby. Congratulations on your new Amateur Radio License. Through the club web site we have mail forwarding and the ability to send all DCARS members email messages all at once. If you would like to be part of this send me an email at [W8JRT@dcars.org](mailto:W8JRT@dcars.org) and I'll set it up. Once this is done you will receive any email that is sent to [DCARS@DCARS.ORG](mailto:DCARS@DCARS.ORG) This is a great way to reach the entire club by email by sending just one message. If you need help, have a question or just want to pass on some neat information this is a very convenient way to do it.

73, have a great month and plan for a great summer.

Joe, W8JRT

## Minutes from the March meeting

The March meeting of DCARS began at 7:00 p.m. In attendance were W8JRT, N8DP, K8WLT, K8AO, N8OYR, W8JNL, WA8LE, WD8RTH, KA8RPB, KD8DKB, KD8DKC, KD8HOR, K8EMS, KC8NUR, KD8DVL, N1PWW, KD8DVN, KB9BQX, KC8OJQ, N8VBA, N8XAH, WA9KEU & Guests Jim Howard and Jennifer Derbisz

Also in attendance were our newest Hams.

KD8KKN Patrick Pierron  
KD8KKO John Merki Jr  
KD8KKP Rich Hendrickson  
KD8KKQ Jason Germain  
KD8KKR Joshua Hallfrisch  
KD8KKU Marilyn Kinsey

The meeting began with introductions

**Correspondence** – None

**Secretary's report** – Motion to accept by KD8DKC, Second by KD8DVN – Passed

**Treasurer's report** read – Motion to accept by KA8RPB, Second by WA8LE - Passed

### Old Business

The progress on the club's callsign replacement was discussed.

### New Business

No new business was brought up and at 7:10 p.m. a motion to adjourn by W8JNL with a Second by KD8DKC - Passed.

The program consisted of a show & tell of a pneumatic antenna launcher built by Lowell - KA8RPB, a show & tell of members hand holds to show the new technicians from the recent class and lastly Justin - KD8HOR provided a discussion & Pointpoint presentation on computer networking.

(Thank you to all who participated)

April's program will be video on the Peter 1 Island DXpedition

< ~ >

## Web Site of the Month

This month we visit the Michigan QSO party web site at [www.miqp.org](http://www.miqp.org). The web site does a nice job showing some of the history of the contest, listing past winners (including our own K8AO) Free logging software is also offered there.

The contest is a great one to get your feet wet with as it's a low pressure contest.

Details of the Michigan QSO Party are on page 4.

< ~ >

# Happenings in Amateur Radio

*"When News Breaks – We Fix It!"*

## FCC DENIES MICHIGAN HAM'S REQUEST FOR RULING

In October 2007, Christopher Kaczmarek, KB8MLC, of Saginaw, Michigan, petitioned the FCC for a ruling regarding the Installation of his Amateur Radio antenna. Kaczmarek told the FCC that he received a notice from the manager of his mobile home community stating the antennas were not allowed and asked for "a ruling from the Commission recognizing [his] right to an Amateur Radio antenna structure." On April 6, 2009, the FCC denied Kaczmarek's request for a ruling in his favor, based on the fact that PRB-1 protections do not extend to private homeowners' agreements [http://hraunfoss.fcc.gov/edocs\\_public/attachmatch/DA-09-774A1.pdf](http://hraunfoss.fcc.gov/edocs_public/attachmatch/DA-09-774A1.pdf).

The Commission agreed with Kaczmarek that Section 97.15 of the Commission's Rules provides that "state and local regulation of antenna structures must not preclude amateur service communications, must reasonably

accommodate such communications, and must constitute the minimum practicable regulation to achieve the state or local authority's legitimate purpose."

In its letter to Kaczmarek, the FCC pointed out that it has not, however, extended this policy to regulations promulgated by private parties.

Saying that it has considered this same question twice before, the FCC told Kaczmarek that it "chose not to preempt private land use regulations that restrict the installation of antennas and associated support structures used by Amateur Radio stations. As agreements between private parties are voluntarily established and freely entered into, the Commission is hesitant to interfere with them unless it is shown that private agreements will seriously disrupt the federal regulatory scheme."

< ~ >

## FCC & INDIANAPOLIS POLICE DEPARTMENT ADDRESS UNLICENSED OPERATIONS

In response to an investigation by the FCC, the Indianapolis Metropolitan Police Department (IMPD) has taken action to prevent further use of Amateur Radio frequencies by unlicensed officers. Any Amateur Radio equipment in the cruisers of unlicensed officers was removed by order of IMPD Chief of Police Michael T. Spears.

According to the FCC, some IMPD officers were using the radios to supplement their normal communications channels, including using amateur frequencies for tactical communications during drug surveillance. As part of its inquiry, the FCC reminded the IMPD of the large number of tactical channels

available on a secondary basis to police departments from the public safety pool of frequency allocations.

"We are pleased that IMPD has put a stop to this unlicensed activity," said ARRL Regulatory Information Manager Dan Henderson, N1ND. "The investigation by the FCC, coupled with the expedient cooperation and correction of the problem by the IMPD, eliminates a situation that had raised serious concerns in the amateur community."

The FCC stated they would monitor the situation and follow-up appropriately if needed.

< ~ >

## BURGHARDT TO NO LONGER SELL AMATEUR RADIO EQUIPMENT

On March 16, Jim Smith, W0MJY, owner of [Burghardt Amateur Center](#) in Watertown, South Dakota, announced that the company will no longer sell Amateur Radio transceivers and accessories. The company, now called Burghardt Radio Repair, has canceled

all backorders.

We will continue to provide radio repair service as it has become a very busy business. Thank you for your support in the past and we look forward to continuing our relationships through our servicing facility."

< ~ >

## Airscoop

The Airscoop is the official newsletter of the Delta County Amateur Radio Society

Original articles and photos are welcome.

Copyrighted material cannot be reprinted without the permission from the author.

Please include such disclaimers in all materials submitted.

Permission is hereby granted for the reproduction of material found in the Airscoop unless otherwise noted providing that proper credit is given to the author and the Delta County Amateur Radio Society.

Submit articles to:

Newsletter Editor  
Dave Palmgren – N8DP  
(906) 428 - 2271  
n8dp@dcars.org

Please notify the  
Newsletter Editor of  
any address changes.

Visit our Website  
WWW.DCARS.ORG

Webmaster  
Joe Thompson W8JRT  
w8jrt@dcars.org

## Area 2 Meter Repeaters

Escanaba	147.15 +	100.0
	145.13 -	No PL
Gladstone	147.24 +	100.0
IRLP 4013	147.55 Smpx	100.0
Cooks	146.70 -	No PL
Grd Marais	147.195+	No PL
Gwinn	146.64 -	100.0
Iron Mtn	146.85 -	No PL
Iron River	145.17 -	107.2
Ishpeming	146.91 -	No PL
Marquette	146.97 -	100.0
	147.27 +	100.0
Menominee	147.00 +	107.2
Munising	145.41 -	No PL
Newberry	146.61 +	127.3
	147.09 +	114.8
Republic	147.09 +	No PL
Trenary	147.03 +	No PL
Wetmore	146.79 -	No PL

## Wisconsin Repeaters

Abrams	146.835 -	107.2
Crivitz	145.47 -	107.2
Egg Harbor	146.73 -	107.2
McAllister	146.88 -	136.5
Green Bay	147.12 +	107.2
	147.27 +	107.2
	146.685 -	107.2
	145.49 -	100.0
Sister Bay	147.18 +	107.2
Sturgeon Bay	147.21 +	107.2

## Club History

Our organization began with a group of local hams getting together in 1964 for the purpose of hosting a U.P. Hamfest.

They called themselves the "Bay de Noc Radio Club" This first local Hamfest became a reality in 1965.

On September 1, 1970 the group met once again at the Northern Michigan National Bank to create a more formal club. The name chosen was the "Delta County Amateur Radio Society".

Arrl affiliation was applied for and the club received its charter on February 15<sup>th</sup> 1971.

Please address all correspondence to:  
DCARS

Dave Palmgren  
6132 Co 420 - 21<sup>st</sup> Road  
Gladstone, Mi 49837



DCARS is an  
ARRL Affiliated Club

### Area Nets

**UP Net** 3921khz  
Daily - 5pm EST  
Sunday - Noon EST

**Midcars** 7258khz  
Daily 7:30am - 2pm EST

**IRLP Linkup** Node 9206  
Tuesday 9pm EST

**Southcars** Node 9617  
Saturday - 9am EST

**UP Echolink** Node 9617  
Sunday - 8pm EST

## Local News (and other stuff)

**M**ichigan QSO Party will be held on April 18<sup>th</sup> and runs from noon EDT (1600Z) until midnight (0400Z). All stations may operate the entire 12 hour period. The object for amateurs outside Michigan is to make contact with as many Michigan stations as possible, while Michigan stations may contact anyone. The frequencies allowed for the contest are: 80, 40, 20 15 and 10 meters using CW and SSB. Stations may be worked once per band and mode. For example K8PL could be worked on 40 on both CW and SSB for QSO points credit.

Contest exchange: Michigan stations send a sequential serial number beginning with 001 and their Michigan county. Non-Michigan stations send a sequential number and their state or province.

Scoring: For Michigan stations each non-duplicate SSB contact is worth 1 point and each non-duplicate CW contact is worth 2 points. Each U.S. state counts as a multiplier - 49 (excluding Michigan) each Michigan county - 83 and the 14 Canadian provinces. DX contacts do not count as multipliers but do count as QSO points.

Suggested frequencies are 3.545, 7.045, 14.045, 21.045 & 28.045 on CW and on SSB 3.800, 7200, 14,250, 21.300 & 28.450.

Visit [www.miqp.org](http://www.miqp.org) for more information.

< ~ >

**F**ield day will be here before we know it, we should start our planning soon. We need someone to step up as field day chairman. We should probably decide on station chairmen as well. The station chairmen will decide on the details for each station. Will we continue to hold Field Day at the Steam & Gas village? How many stations should we run? How many plan on participating? etc.

< ~ >

**L**ive streaming audio from the 147.27 repeater system in Marquette can be heard via the internet by going to [www.kb0p.com](http://www.kb0p.com). Paul - KB0P was requested to make the audio available to people want to listen to the communications that take place during the annual sled dog races. There is a 10 - 15 second delay and obviously there has to be activity on the repeater to hear anything.

< ~ >

**A**RRL affiliated clubs can retain \$15 for each new membership and \$2 for each renewal. A new member is defined as any individual who has never been a member of the ARRL or who has not held membership for the past 2 years. A renewing member can renew at any time.

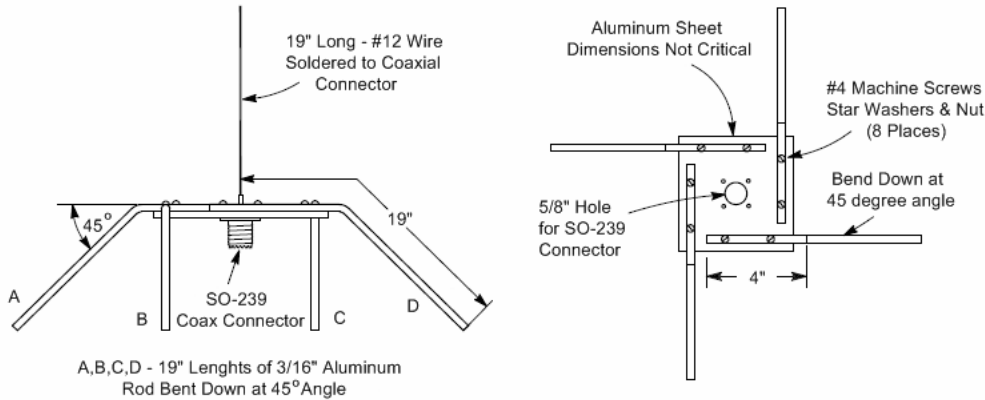
< ~ >

**W**hile this isn't really "Local News" I did want to comment on something I read in QST magazine. The April 2009 issue featured the Straight Key Night contest results. This annual contest runs on January 1<sup>st</sup> every year and the participants are required to use a straight key for sending their Morse code. The part I found interesting was that participation has more than *doubled* in the past ten years and that even though the FCC has dropped the code requirement for licensing, the numbers in the cw contests have been on the rise. With apologies to Mark Twain - Apparently "The death of Morse code has been greatly exaggerated."

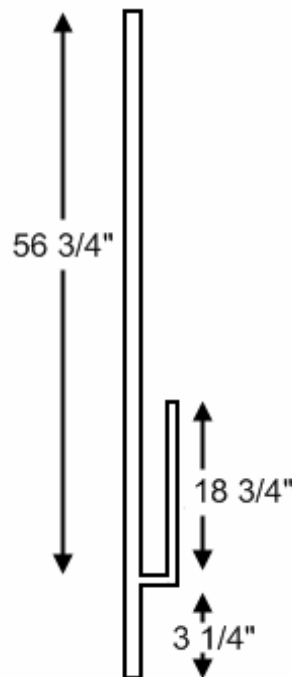
< ~ >

## Fun Stuff – Homebrew Antenna’s – Part 2

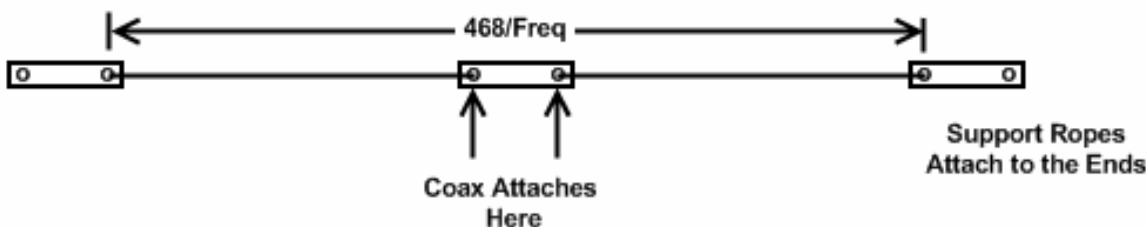
With a large number of new hams in the club I thought a discussion on some basic but very useful antennas would be in order. The first antenna I would like to talk about is the 2 – meter quarter wave ground plane. This antenna simply uses a quarter wave length vertical element and four elements at a 45 degree downward angle.



An antenna that is quite a bit larger but has better performance is the J-pole antenna. The J-pole is a 1/2 wave length vertical element with a 1/4 wave length matching stub mounted on the bottom. The impedance of a half wave length vertical antenna would be very high and unusable, the matching stub provides a location to hook-up the coax at a 50 ohm feed point. One nice aspect of this antenna is that it is made from easy to obtain material. The long vertical pole is usually made from 3/4" copper pipe and the "J" part of the antenna is usually 1/2" copper pipe. Additional information this and the other antennas can be found on line.



The last antenna I want to talk about is the 1/2 wave dipole. This antenna consists of 2 - 1/4 wave wires usually mounted horizontally and provides a good impedance match to the feedline (Coax). This antenna normally used on the lower frequency bands where other types of antennas get prohibitively large.



### V. E. Testing

#### Gladstone

July 11<sup>th</sup>  
9 am EST  
Gladstone City Hall  
Howard St. John W8HSJ  
(906) 428-9476  
w8hsj@dcars.org

#### Marquette

June 13<sup>th</sup>  
8:30 am EST  
Marquette Co. Health Dept.  
U.S.41  
Rich Schwenke N8GBA  
(906) 249-3837  
n8gba@chartermi.net

#### Kingsford

May 2<sup>nd</sup>  
9 am CST  
Dickenson County Library  
Mark Lewis N8UKD

Bring a **photo ID** if available otherwise two forms of identification will be required.

Test session fees are **\$15**, Please bring exact amount or a check.

Bring your actual license or C.S.C.E. and a **photocopy** to be sent in for element credit

### Upcoming Events

Michigan Qso Party  
April 18<sup>th</sup>  
Cadillac Amateur Radio &  
Computer Swap  
May 2<sup>nd</sup>

Dayton Hamvention  
May 15<sup>th</sup> – 17<sup>th</sup>

Field Day  
June 27<sup>th</sup> – 28<sup>th</sup>

U.P. Hamfest  
August 1<sup>st</sup>

< ~ >

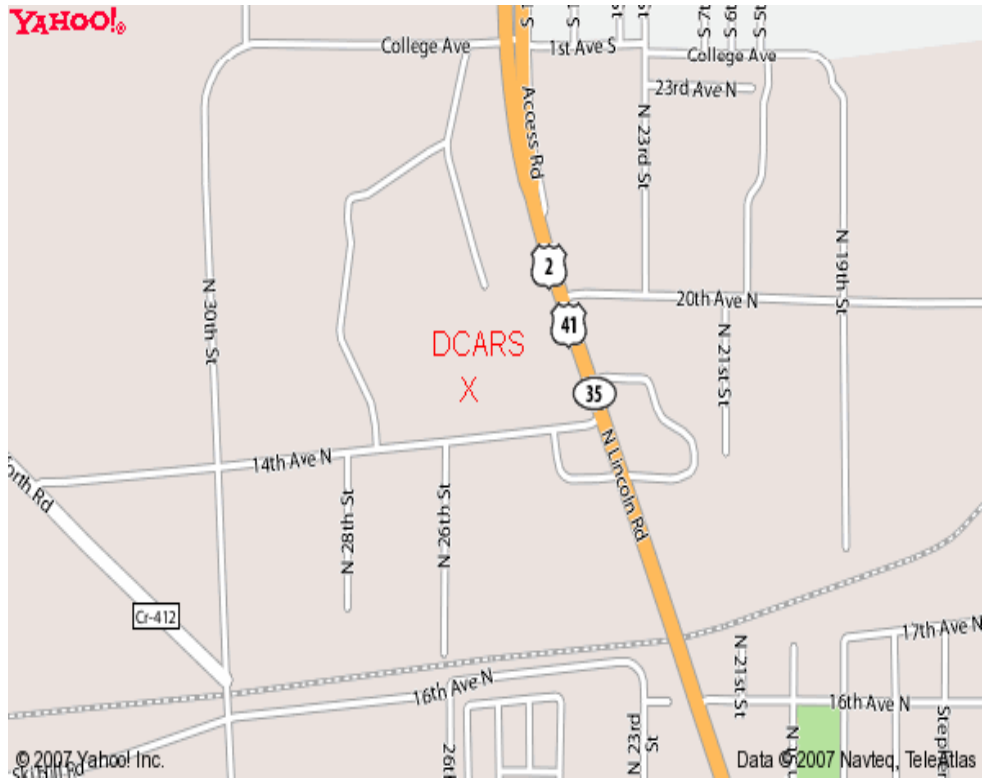
## Meetings

The Delta County Amateur Radio Society meets at 7 p.m. on the third Monday of each month. The meeting is held in the Joseph Heirman University Center, Room 962 at Bay de Noc College.

Annual Membership Dues are \$15

## Project Nights

Projects nights are held on Mondays from Labor Day until Memorial Day. (except club meeting nights)



From US – 2 & 41  
Turn West on to Danforth Road,  
Travel one block and turn right into Lot D

----- fold -----

**Delta County Amateur Radio Society**  
c/o Dave Palmgren  
6132 County 420 – 21<sup>st</sup> Road  
Gladstone, Mi.  
49837

Stamp

Label